

Pratika



Art. 3002SB



Campo di applicazione

Installazione interna

Field of application

Internal installation

Caratteristiche

Mobile: Bilaminato

Maniglie e piedini: Finitura satinata

Vasca: Materiale plastico, forabile per installazione rubinetto

Sportelli: Con angoli squadrati

Asse: Resina plastica

Scarico: Sifone autopulente con attacco lavatrice, piletta, tappo e troppopieno

Features

Furniture: Bilaminated wood

Handles and feet: Satin finish

Basin: Plastic material, it can be punched to install the faucet

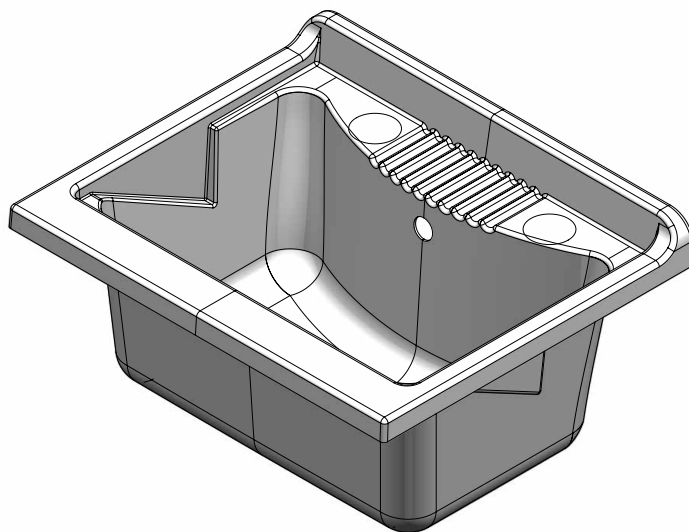
Doors: With squared angles

Washing board: Plastic resin

Drain: Self-cleaning siphon with washing-machine coupling, drain, plug and overflow

Art. 2028

Vasca in resina speciale 60x50 cm
Plastic basin 60x50 cm



Dimensioni (mm)- Dimensions (mm)

